

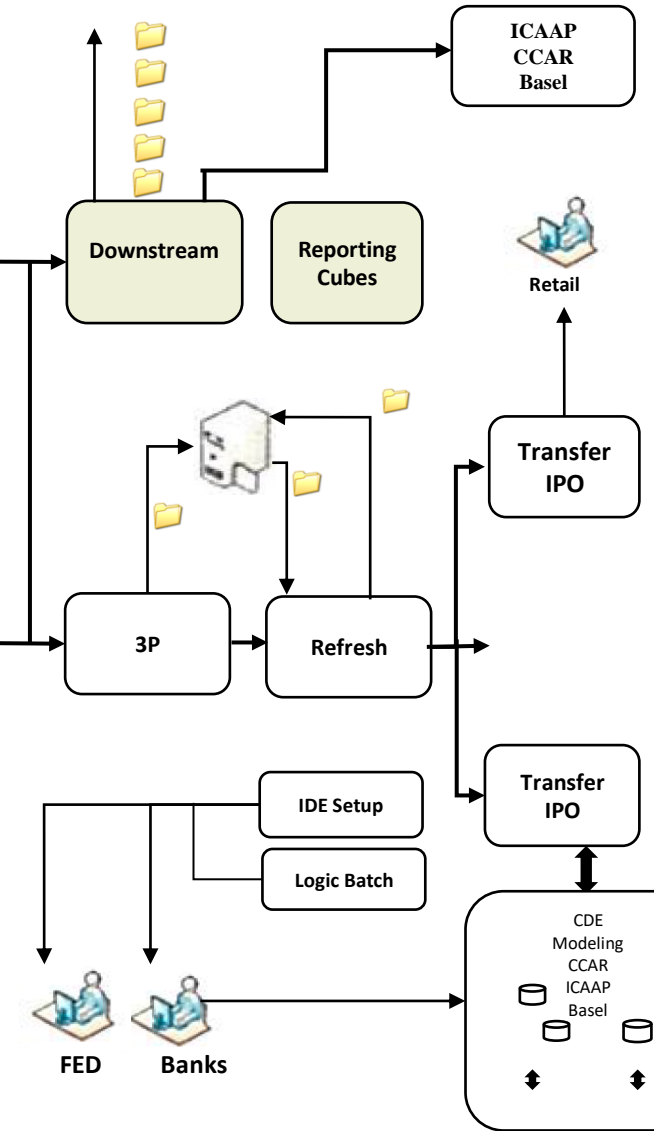
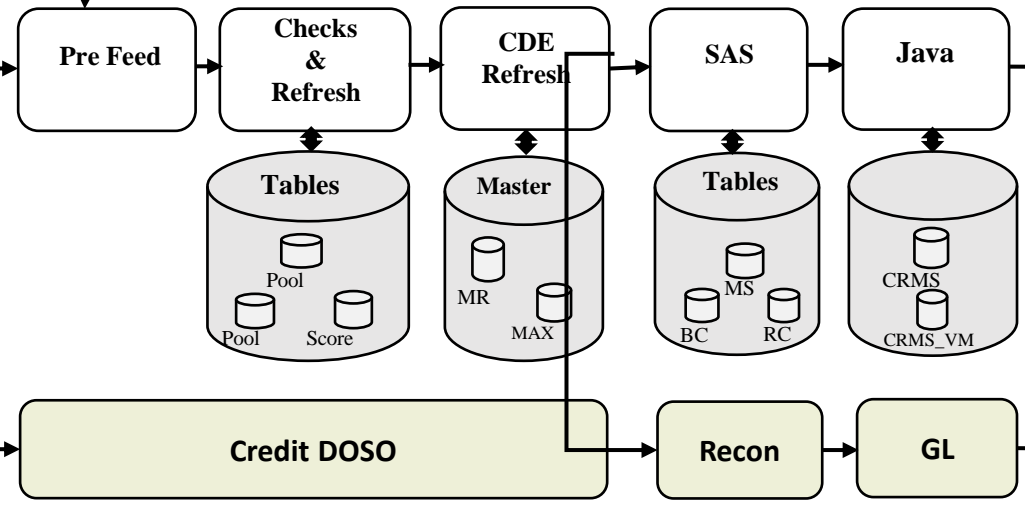
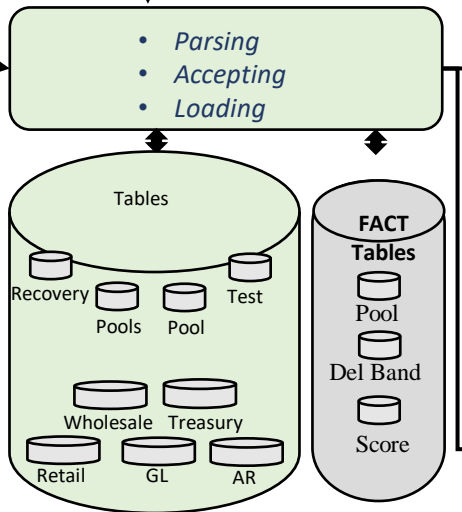
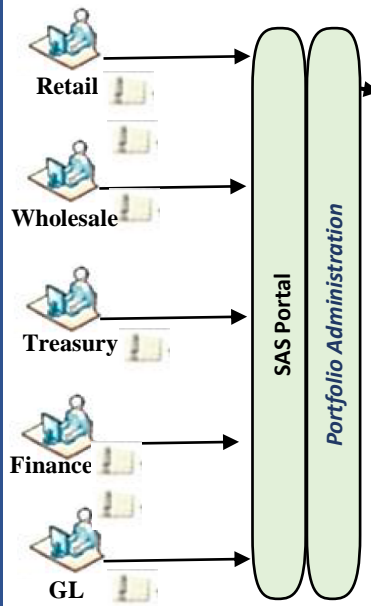
# Data Sharing btw Banks & NY FED - Functional Diagram

**Data Feed**

Retail	1495
Wholesale	39
Treasury	107
Finance	1445
General Ledger	651
Asset Recovery	1366



- Feed
- Reference
- Files
- NYFED



Exposure Type	Sum of END/OS (Incl Fees and interest)	Sum of Unused/UC
Retail	1,380,759,767,969	1,685,755,771,351
Treasury	142,707,393,287	-
Wholesale	231,275,510,548	28,459,026,918
<b>Grand Total</b>	<b>1,454,742,671,804</b>	<b>1,694,214,798,269</b>

**Top 5 Consortium of Banks BRD**